

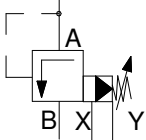

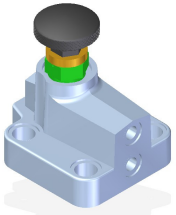
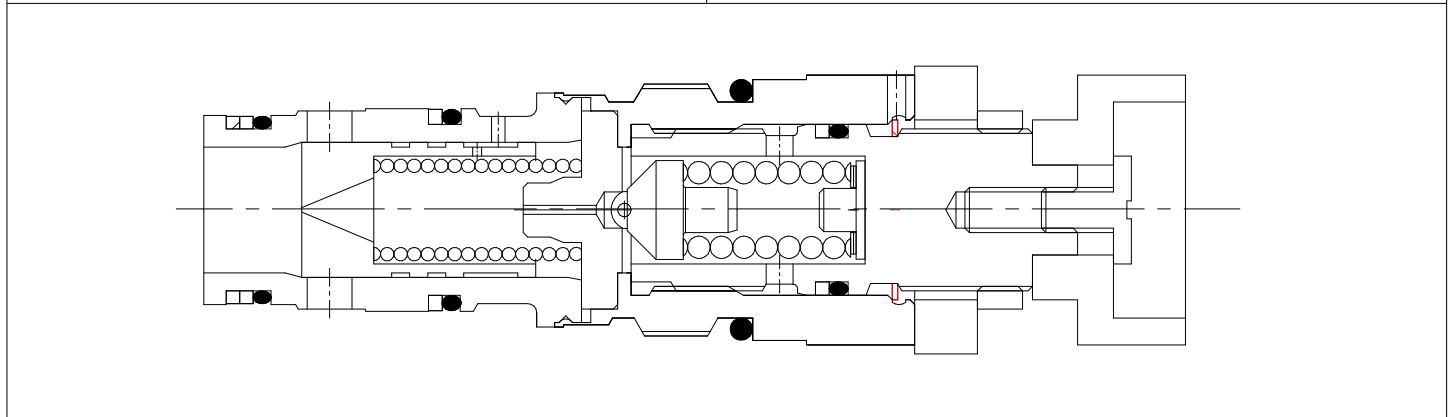
CMD RVP/11.11	Relief valve type RVP			LOGO

Features :

- Cartridge Type
- Pilot operated Spool Type
- Adjustable Pressure settings

Set Screw type
Hand Knob type

Symbols :

Ordering code

RVP S 10 *	
Set Screw Adjustment Hand Knob Adjustment	=S =H
Nominal size 10	=10
Nominal size 20	=20
Nominal size 30	=30
Further details to specify	
	50 = Pr. 50 Bar
	100 = Pr. 100 Bar
	200 = Pr. 200 Bar
	315 = Pr. 315 Bar
	400 = Pr. 400 Bar
K= Cartridge Type T= Threaded port body (Contact us for details) S= Subplate Connections (Contact us for details)	

Technical data (for other sizes and special application, please contact mktg@cmhydraulics.com)

Maximum operating pressure	bar	400 Bar		
Operating pressure	bar	25,50,100,200,315,400		
Maximum flow	Size	10	20	30
	L/min.	120	250	400
Pressure fluid	Mineral oil (HL,HLP) to DIN 51 524; Fast bio-degradable pressure fluids to VDMA 24 568;HTEG (rape seed oil); HEPG (polyglycol); HEES (synthetic ester); other fluids on request			
Pressure fluid - temperature range	°C	- 30 to + 80		
Viscosity range	mm ² /s	2.8 to 500		
Degree of contamination	Maximum permissible degree of contamination of the fluid is to NAS 1638 class 9.			

CMD
RVP/11.11

Relief valve type RVP

LOGO

Replaces : RVP 02.10

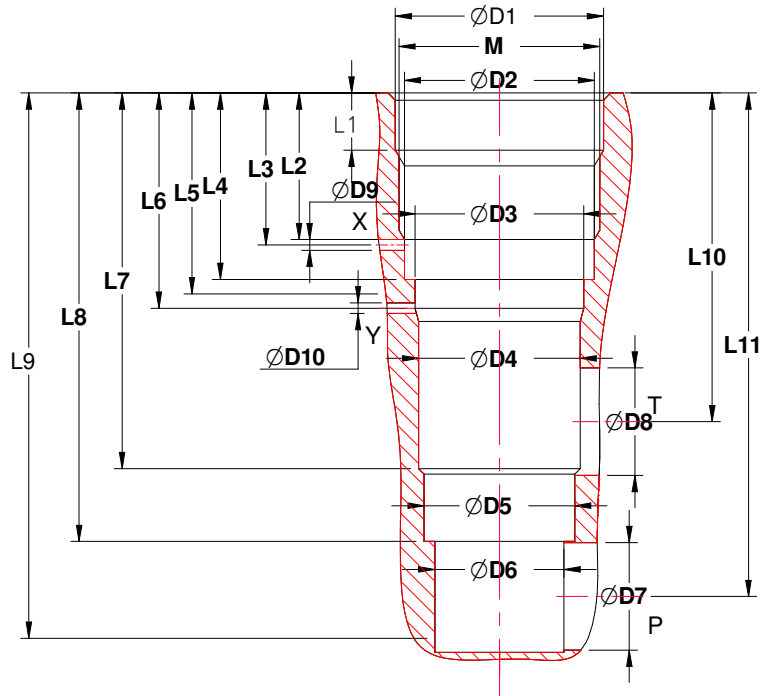
Size : 10 to 30

up to 400 bar

up to 450 L/min.

CM Hydro Systems Pvt Ltd

CAVITY DETAILS



Size	$\varnothing D1$	M	$\varnothing D2$	$\varnothing D3$	$\varnothing D4$	$\varnothing D5$	$\varnothing D6$	$\varnothing D7$	$\varnothing D8$	L1	L2	L3	L4	L5
10	29	M28x1.5	26.5	23.5	22.5	21	18	15	15	8	20	20.5	26	28
20	29	M28x1.5	26.5	25.5	24.5	23	18	15	15	8	20	20.5	26	28
30	32	M30x1.5	28.5	27.5	26.5	25	18	15	15	8	20	20.5	26	28

Size	L6	L7	L8	L9	L10	L11	$\varnothing D9$	$\varnothing D10$
10	30	52	62.5	78	46	70	3	3
20	30	52	62.5	78	46	70	3	3
30	30	52	62.5	78	46	70	3	3

CMD
RVP/11.11

Relief valve type RVP

LOGO

Replaces : RVP 02.10

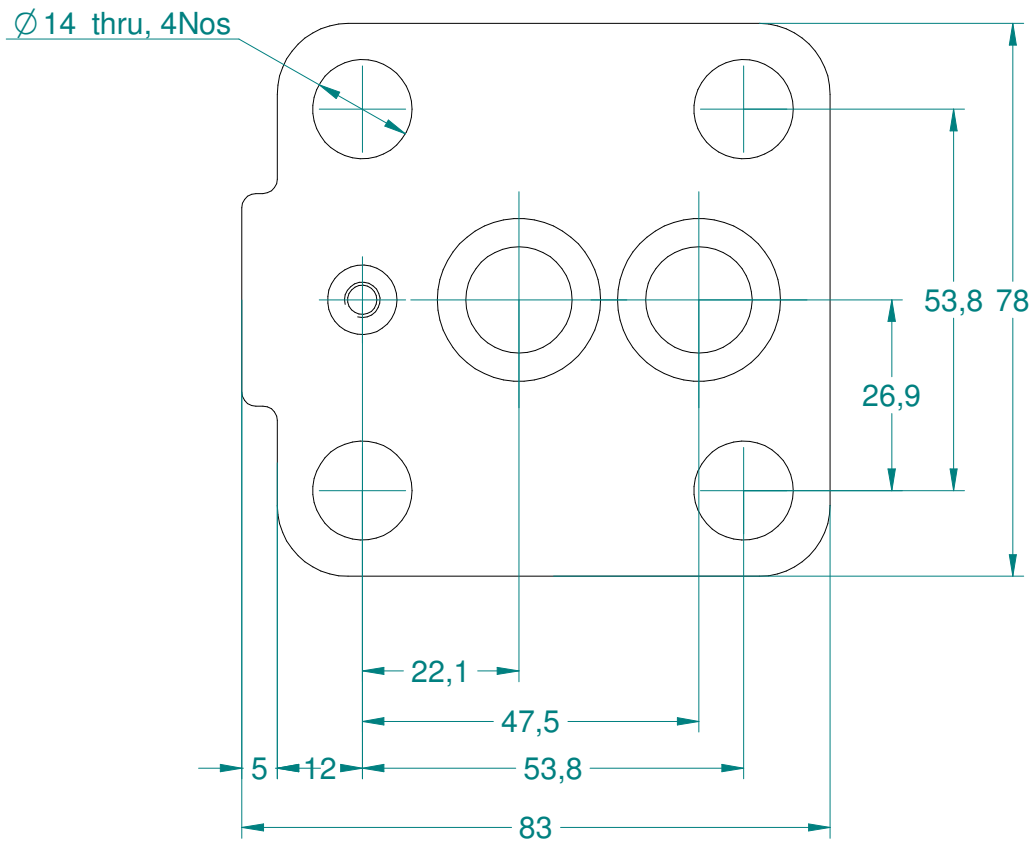
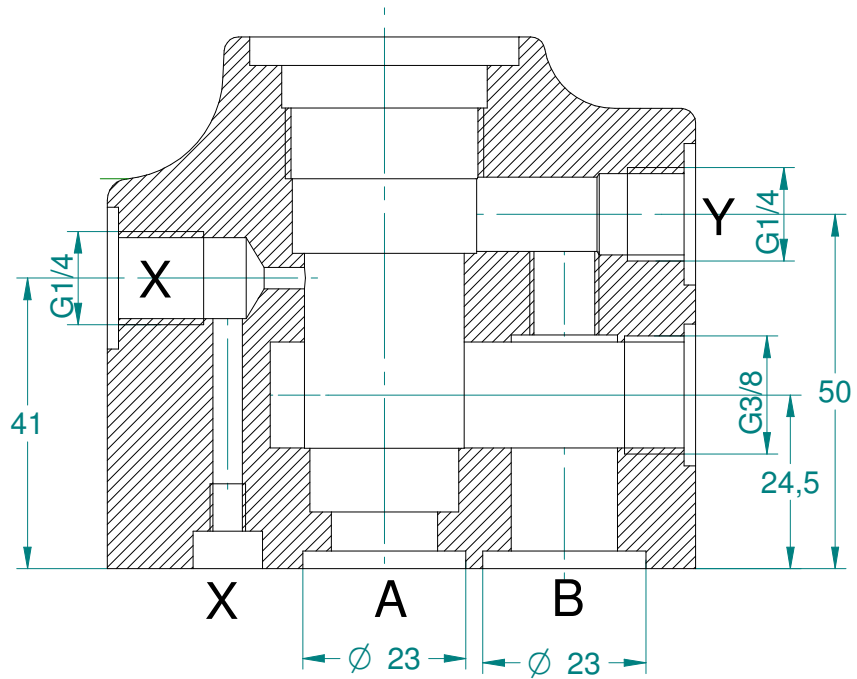
Size : 10 to 30

up to 400 bar

up to 450 L/min.

CM Hydro Systems Pvt Ltd

CAVITY DETAILS



CMD
RVP/11.11

Relief valve type RVP

LOGO

Replaces : RVP 02.10

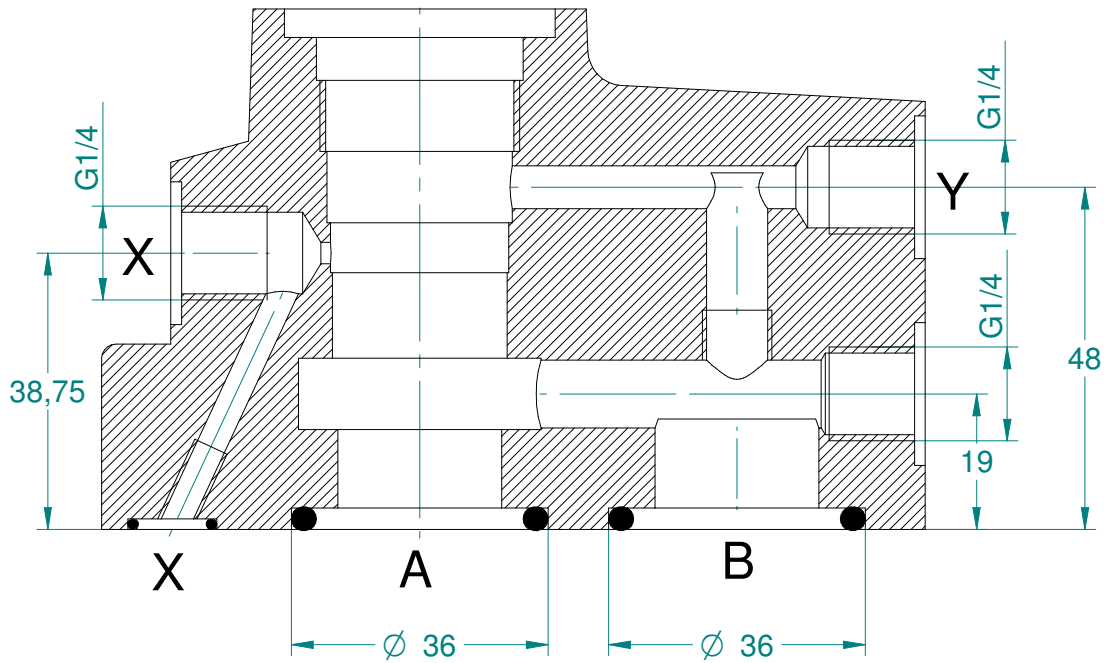
Size : 10 to 30

up to 400 bar

up to 450 L/min.

CM Hydro Systems Pvt Ltd

CAVITY DETAILS



$\varnothing 18$ thru, 4Nos

