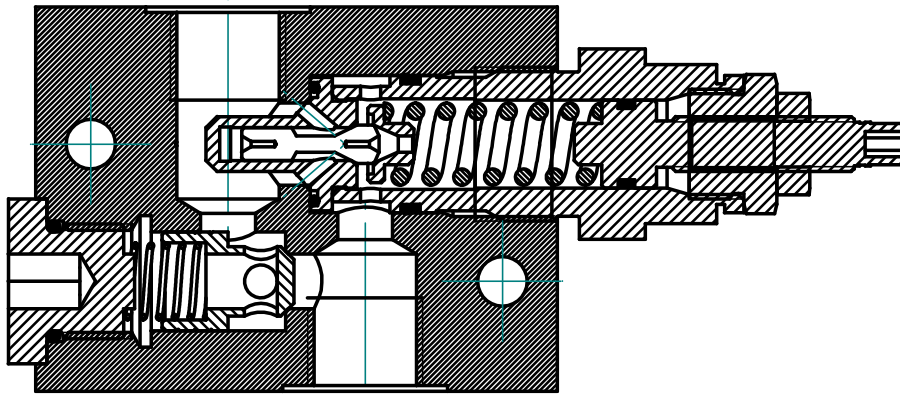
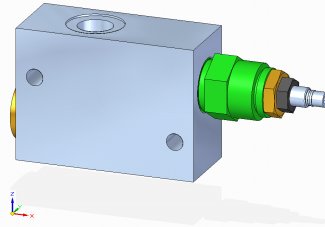


CMD FVD/11.11	Counter Balance Valve type FVD			LOGO
Replaces : NIL	Size : 10 & 20	315 bar	Upto120 L/min.	CM Hydro Systems Pvt Ltd

Features :

- Modular construction
- Available in different sizes
- Available in different pressure ranges



Ordering code

FVD S 10 T 100 *

Set screw type

=S

Further details to specify

Size
=10
=20

Revision status index

Threded

25 = Pr. 25 Bar
50 = Pr. 50 Bar
100 = Pr. 100 Bar
200 = Pr. 200 Bar
315 = Pr. 315 Bar

Technical data (for other sizes and special application, please contact mktg@cmhydraulics.com)

Maximum operating pressure	bar	315 Bar
Operating pressure	bar	25, 50, 100, 200, 315
Maximum flow	L/min.	NG 10=30; NG 20=120
Pressure fluid		Mineral oil (HL,HLP) to DIN 51 524; Fast bio-degradable pressure fluids to VDMA 24 568;HTEG (rape seed oil); HEPG (polyglycol); HEES (synthetic ester); other fluids on request
Pressure fluid - temperature range	°C	- 30 to + 80
Viscosity range	mm ² /s	2.8 to 500
Degree of contamination		Maximum permissible degree of contamination of the fluid is to NAS 1638 class 9.
Weight	Kg.	NG 10=2.1 Kg; NG 20= 6Kg.

CMD
FVD/11.11

Counter Balance Valve type FVD

LOGO

Replaces : NIL

Size : 10 & 20

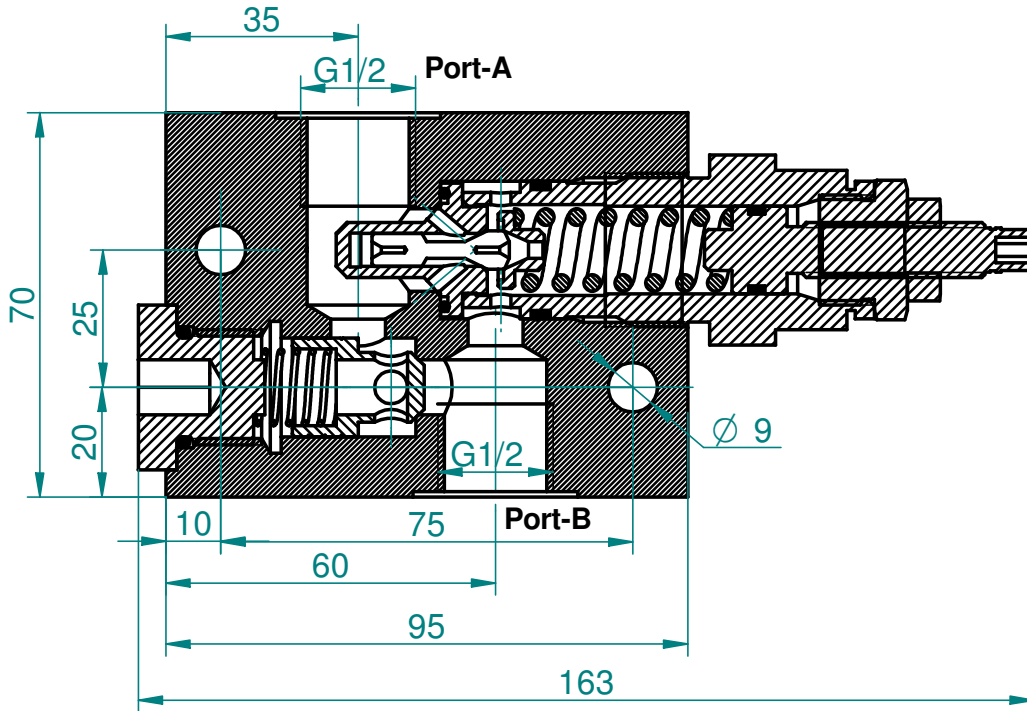
315 bar

40 L/min.

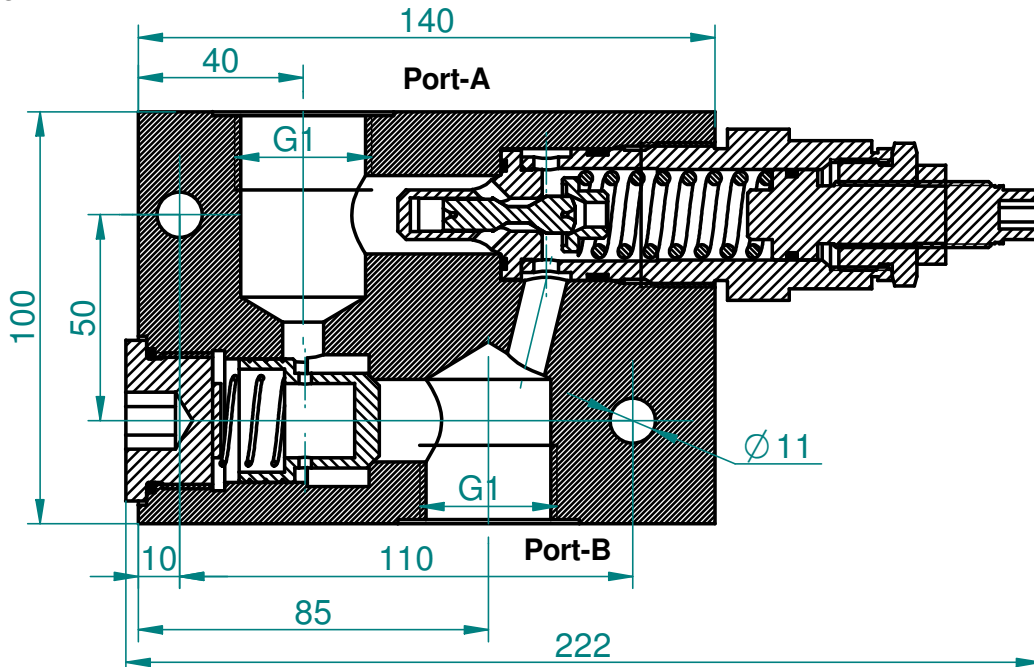
CM Hydro Systems Pvt Ltd

Mounting Details

Mounting Details Size NG 10:-



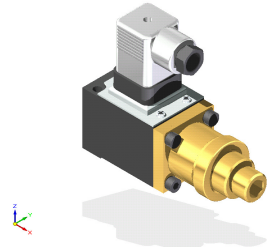
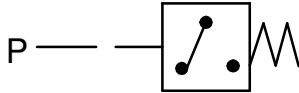
Mounting Details Size NG 20:-



CMD HPS/11.11	Pressure Switch Type HPS			LOGO
				CM Hydro Systems Pvt Ltd
Replaces : NIL	Size : 06	315 bar	-	

Features :

- Modular construction
- Piston type construction
- Available in different pressure ranges



Mounting Details:-

Ordering code

HPS S 06 100 *

Subplate mounting

=S

Further details to specify

Revision status index

Size

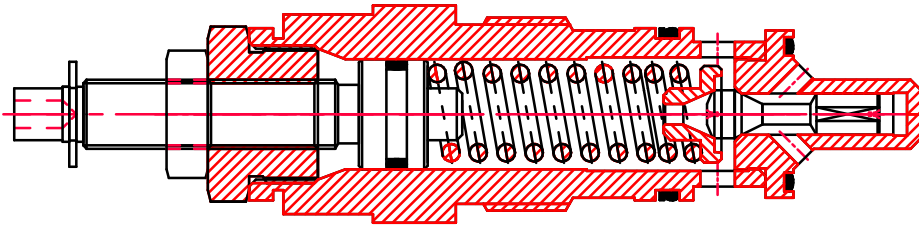
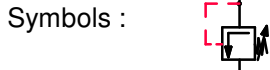
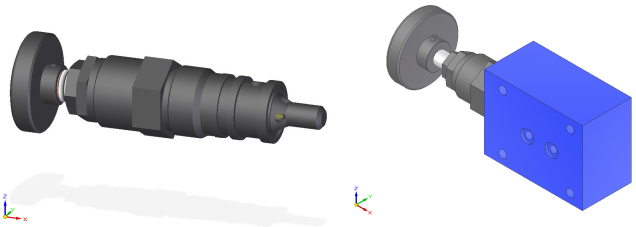
- 50 = Pr. 50 Bar
- 100 = Pr. 100 Bar
- 200 = Pr. 200 Bar
- 315 = Pr. 315 Bar

Technical data (for other sizes and special application, please contact mktg@cmhydraulics.com)

Maximum operating pressure	bar	315 Bar
Operating pressure	bar	50, 100, 200, 315
Maximum flow	L/min.	-
Electrical rating		250 V.AC 5.0 Amps. 50 V.DC 1.0 Amps. 250 V.DC 0.2 Amps.
Electrical connection		Plug in DIN connector
Pressure fluid - temperature range	°C	- 30 to + 80
Viscosity range	mm ² /s	2.8 to 500
Degree of contamination		Maximum permissible degree of contamination of the fluid is to NAS 1638 class 9.
Weight	Kg.	1.2 Kg

CMD RVD/11.11		Relief valve type RVD			LOGO
Replaces : RVD 10.09		Size : 06 to 20	up to 315 bar	up to 450 L/min.	CM Hydro Systems Pvt Ltd

- Features :
- For Threaded connections
 - With Cavity
 - For Subplate mountings
 - Adjustable Pressure settings
(see ordering code)



Ordering code

RVD	S	06				*
-----	---	----	--	--	--	---

Set Screw Adjustment	=S
Hand Knob Adjustment	=H

Nominal size 06	=06
Nominal size 10	=10
Nominal size 20	=20

Further details to specify

25 =	Pr. 25 Bar
50 =	Pr. 50 Bar
100 =	Pr. 100 Bar
200 =	Pr. 200 Bar
315 =	Pr. 315 Bar
400 =	Pr. 400 Bar
630 =	Pr. 630 Bar(Only for 10 Size)

K= Cartridge Type (See Page 2)
T= Threaded port body (See Page 2)
S= Subplate Connections (See Page 3)

Technical data (for other sizes and special application, please contact mktg@cmhydraulics.com)

Maximum operating pressure	bar	400 Bar, 630 Bar			
Operating pressure	bar	25,50,100,200,315,400			
Maximum flow	Size	06	10	20	
	L/min.	50	120	250	
Pressure fluid		Mineral oil (HL,HLP) to DIN 51 524; Fast bio-degradable pressure fluids to VDMA 24 568;HTEG (rape seed oil); HEPG (polyglycol); HEES (synthetic ester); other fluids on request			
Pressure fluid - temperature range	°C	- 30 to + 80			
Viscosity range	mm ² /s	2.8 to 500			
Degree of contamination		Maximum permissible degree of contamination of the fluid is to NAS 1638 class 9.			
Weight	Size	06	10	20	
	Kg.	0.4	0.5	1.0	

CMD
RVD/11.11

Relief valve type RVD

LOGO

Replaces : RVD 10.09

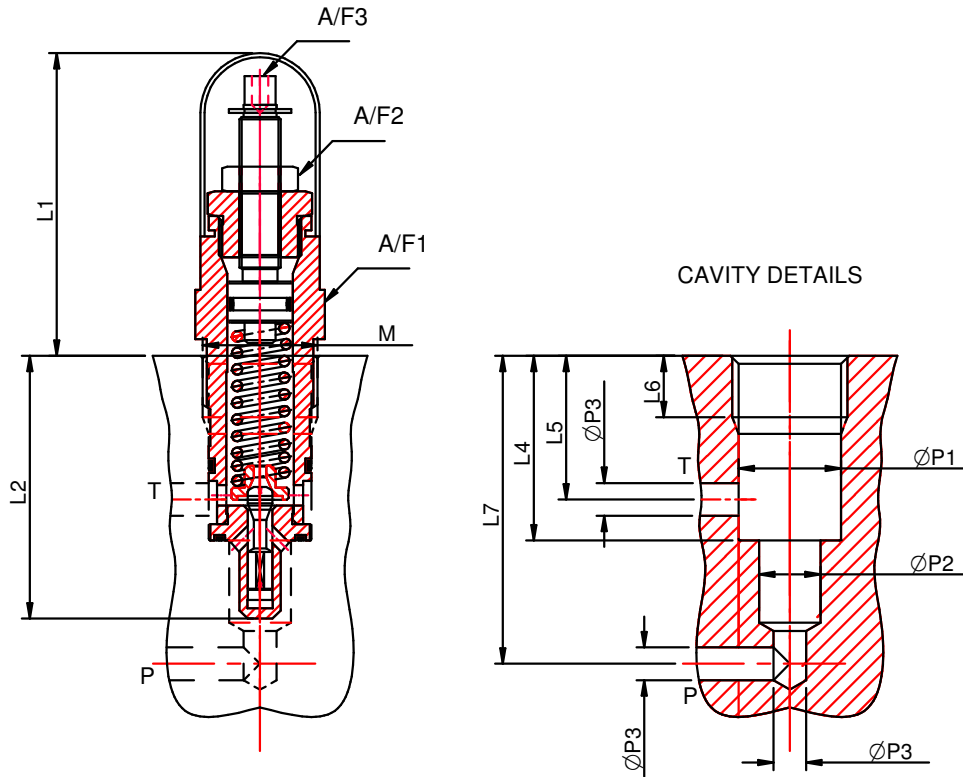
Size : 06 to 20

up to 315 bar

up to 450 L/min.

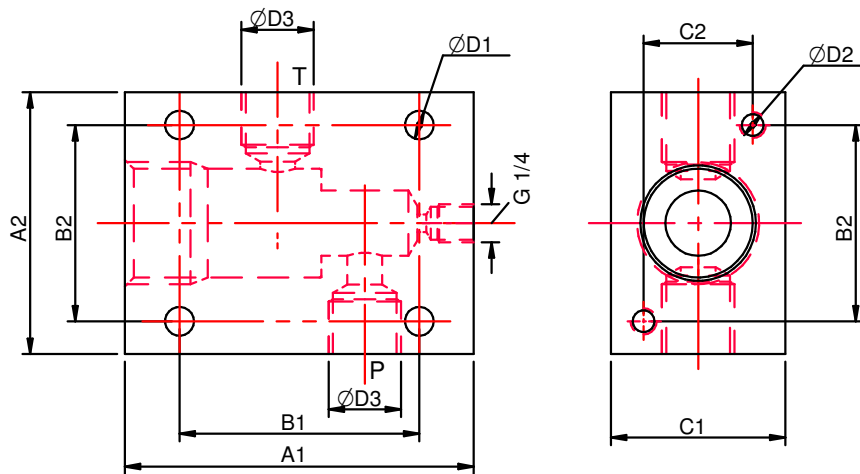
CM Hydro Systems Pvt Ltd

Cartridge Type



Size	A/F1	A/F2	A/F3	M	L1	L2	L4	L5	L6	L7	ØP1	ØP2	ØP3
06	30	16	4	M28x1.5	75	64	45	35	19	55	25	15	8
10	36	24	6	M35x1.5	85	77	52	41	23	69	32	19	10
20	46	19	6	M45x1.5	65	106	70	54	27	92	40	24	20

Threaded Port Body Type



Size	A1	A2	B1	B2	ØD1	ØD2	ØD3	C1	C2
06	80	60	55	45	6.6	M4x10 Dp.	1/4" BSP	40	25
10	100	80	70	60	9	M8x20 Dp.	1/2" BSP	60	40
20	135	100	100	70	9	M8x20 Dp.	1" BSP	70	50

CMD
RVD/11.11

Relief valve type RVD

LOGO

Replaces : RVD 10.09

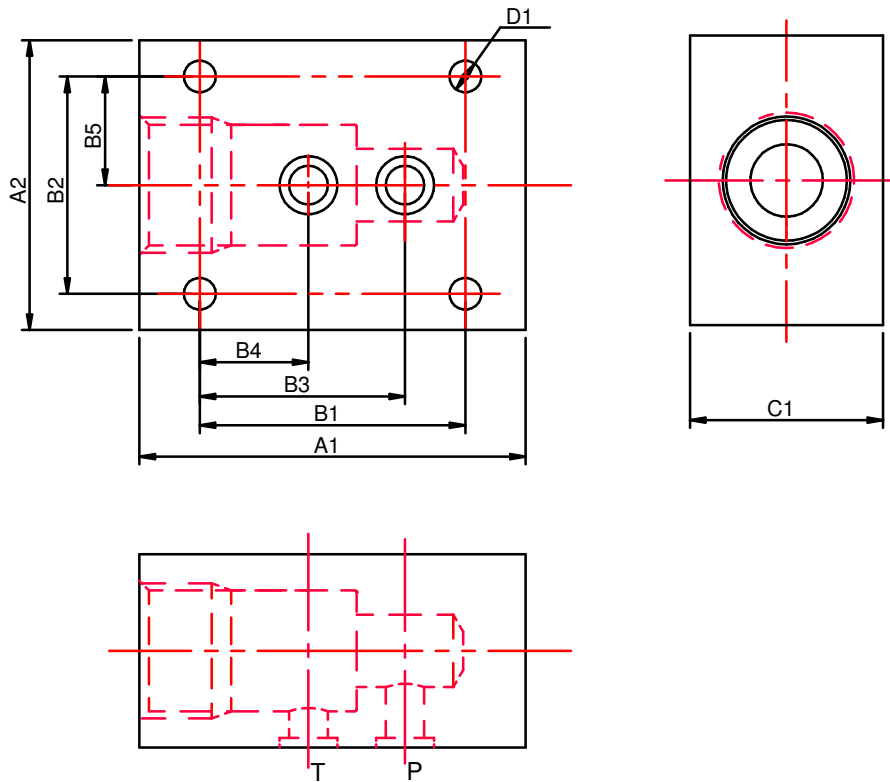
Size : 06 to 20

up to 315 bar

up to 450 L/min.

CM Hydro Systems Pvt Ltd

Subplate Type



Size	A1	A2	B1	B2	B3	B4	B5	ØD1	C1
06	80	60	55	45	40	20	22.5	6.6	40
10	100	80	70	60	49	21	30	9	60
20	135	100	100	70	65	34	35	9	70

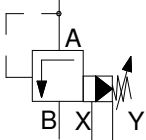
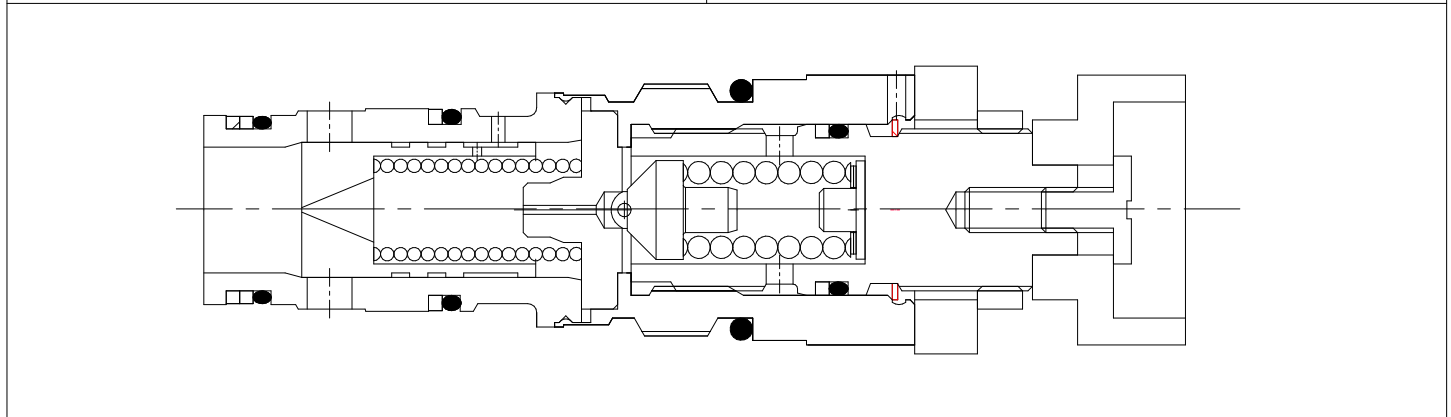
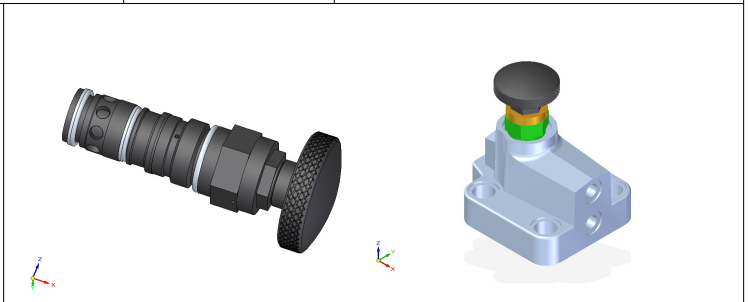
CMD RVP/11.11	Relief valve type RVP			LOGO
	Replaces : RVP 02.10	Size : 10 to 30	up to 400 bar	up to 450 L/min.

Features :

- Cartridge Type
- Pilot operated Spool Type
- Adjustable Pressure settings

Set Screw type
Hand Knob type

Symbols :

Ordering code

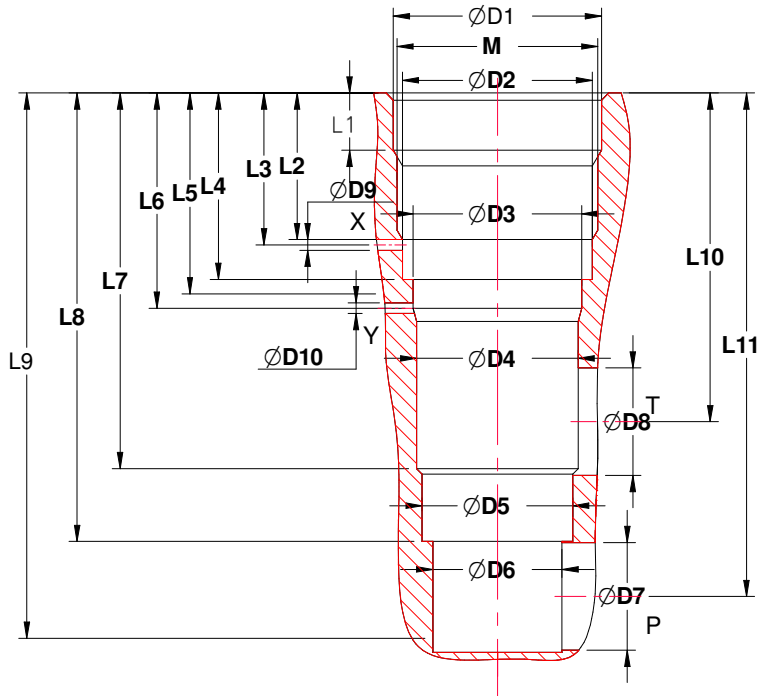
RVP S 10	*
=S =H Set Screw Adjustment Hand Knob Adjustment	Further details to specify 50 = Pr. 50 Bar 100 = Pr. 100 Bar 200 = Pr. 200 Bar 315 = Pr. 315 Bar 400 = Pr. 400 Bar
Nominal size 10 =10 Nominal size 20 =20 Nominal size 30 =30	K= Cartridge Type T= Threaded port body (Contact us for details) S= Subplate Connections (Contact us for details)

Technical data (for other sizes and special application, please contact mktg@cmhydraulics.com)

Maximum operating pressure	bar	400 Bar		
Operating pressure	bar	25,50,100,200,315,400		
Maximum flow	Size	10	20	30
	L/min.	120	250	400
Pressure fluid		Mineral oil (HL,HLP) to DIN 51 524; Fast bio-degradable pressure fluids to VDMA 24 568;HTEG (rape seed oil); HEPG (polyglycol); HEES (synthetic ester); other fluids on request		
Pressure fluid - temperature range	°C	- 30 to + 80		
Viscosity range	mm ² /s	2.8 to 500		
Degree of contamination		Maximum permissible degree of contamination of the fluid is to NAS 1638 class 9.		

CMD RVP/11.11	Relief valve type RVP			LOGO
	Replaces : RVP 02.10	Size : 10 to 30	up to 400 bar	up to 450 L/min.

CAVITY DETAILS



Size	$\varnothing D1$	M	$\varnothing D2$	$\varnothing D3$	$\varnothing D4$	$\varnothing D5$	$\varnothing D6$	$\varnothing D7$	$\varnothing D8$	L1	L2	L3	L4	L5
10	29	M28x1.5	26.5	23.5	22.5	21	18	15	15	8	20	20.5	26	28
20	29	M28x1.5	26.5	25.5	24.5	23	18	15	15	8	20	20.5	26	28
30	32	M30x1.5	28.5	27.5	26.5	25	18	15	15	8	20	20.5	26	28

Size	L6	L7	L8	L9	L10	L11	$\varnothing D9$	$\varnothing D10$
10	30	52	62.5	78	46	70	3	3
20	30	52	62.5	78	46	70	3	3
30	30	52	62.5	78	46	70	3	3

CMD
RVP/11.11

Relief valve type RVP

LOGO

Replaces : RVP 02.10

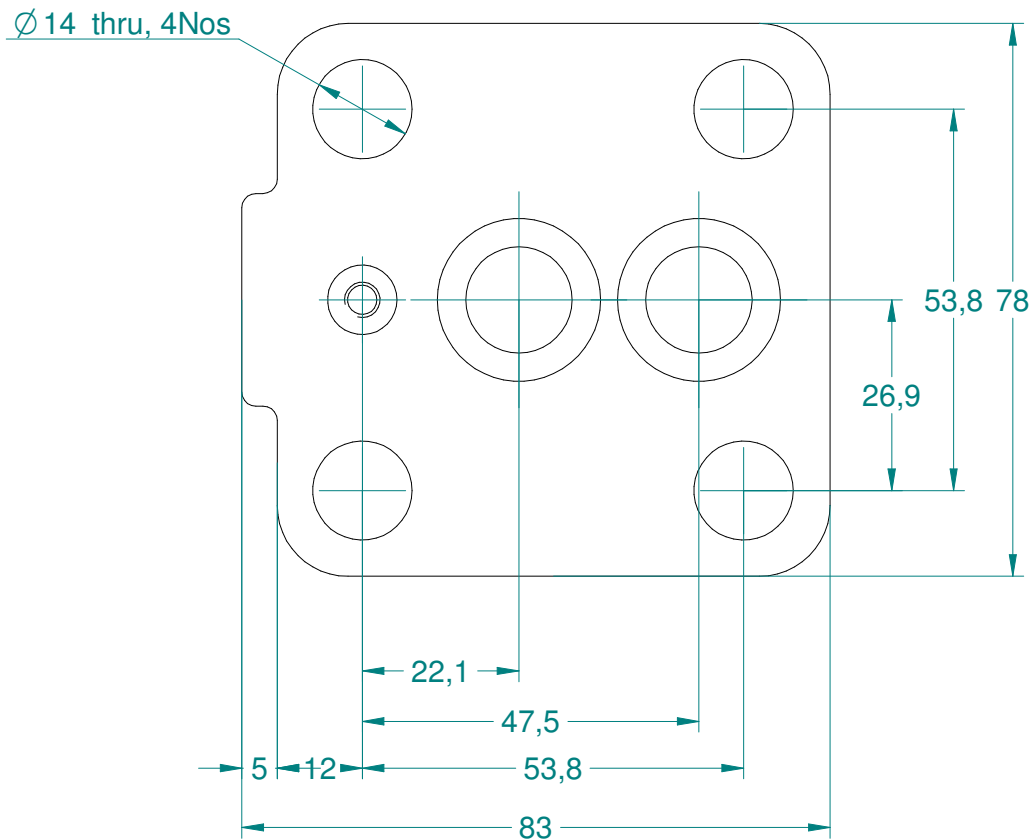
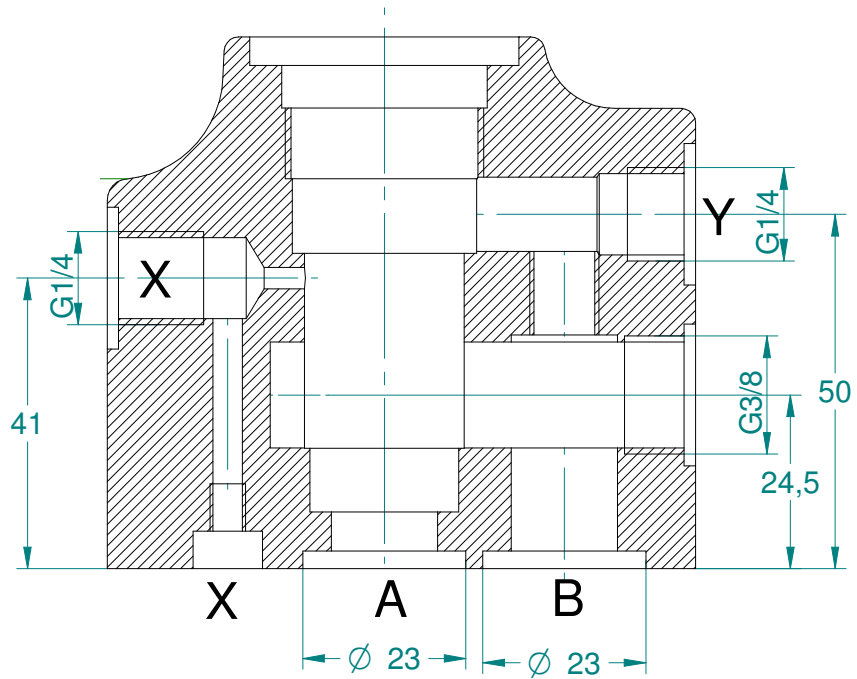
Size : 10 to 30

up to 400 bar

up to 450 L/min.

CM Hydro Systems Pvt Ltd

CAVITY DETAILS



CMD
RVP/11.11

Relief valve type RVP

LOGO

Replaces : RVP 02.10

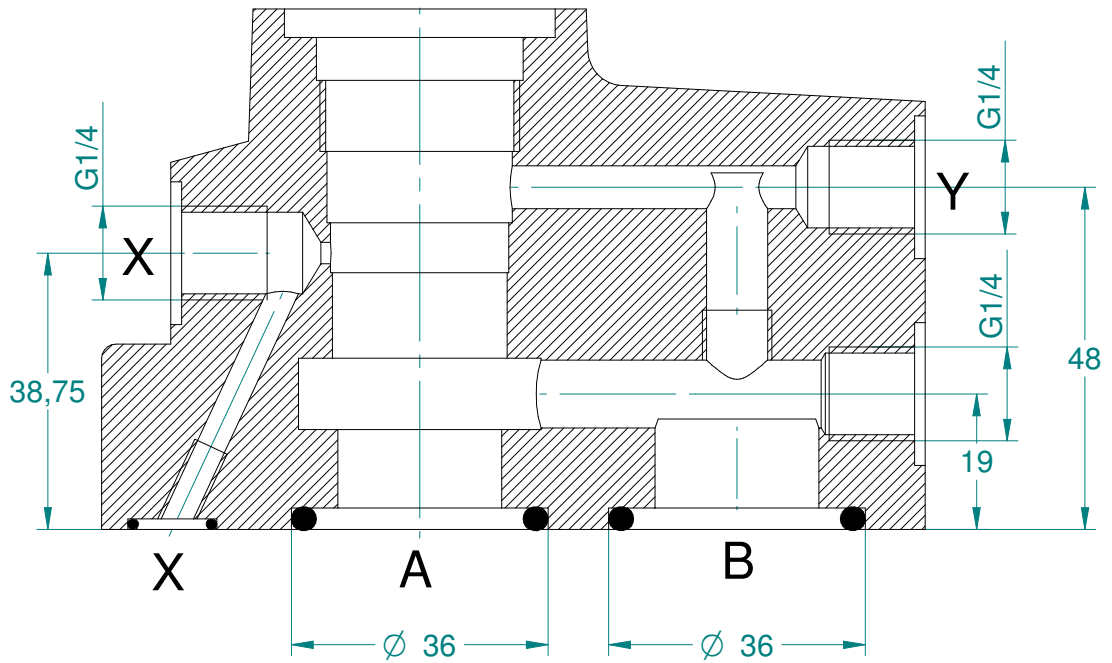
Size : 10 to 30

up to 400 bar

up to 450 L/min.

CM Hydro Systems Pvt Ltd

CAVITY DETAILS



$\varnothing 18$ thru, 4Nos

