

CMD
MFD/11.11

Manifold Block for DC Valve 06 Size type MFD

LOGO

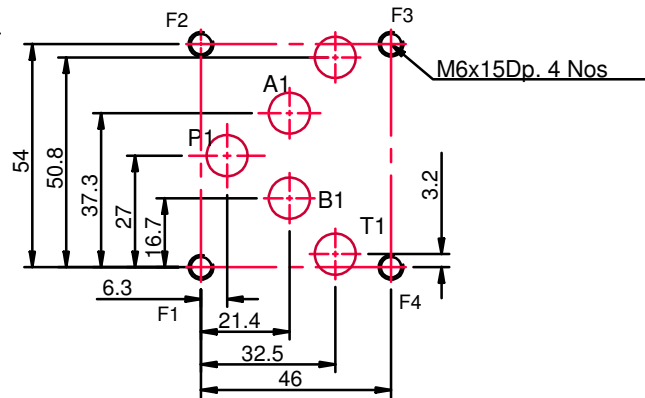
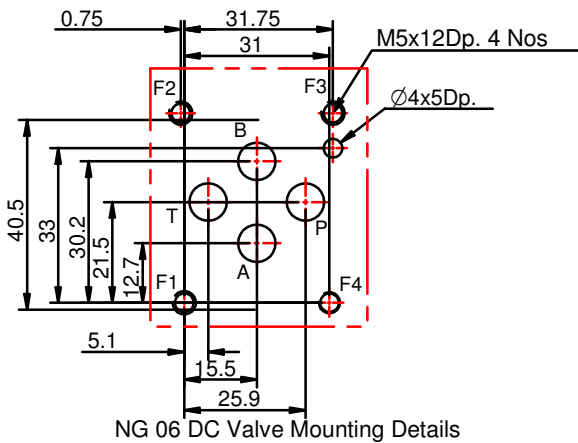
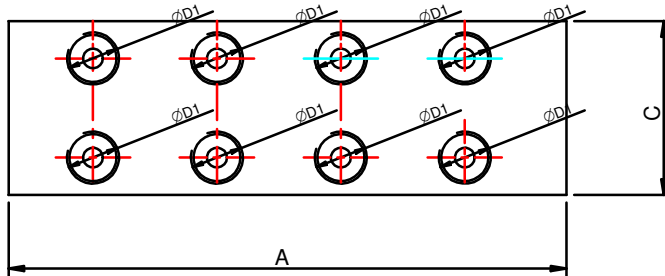
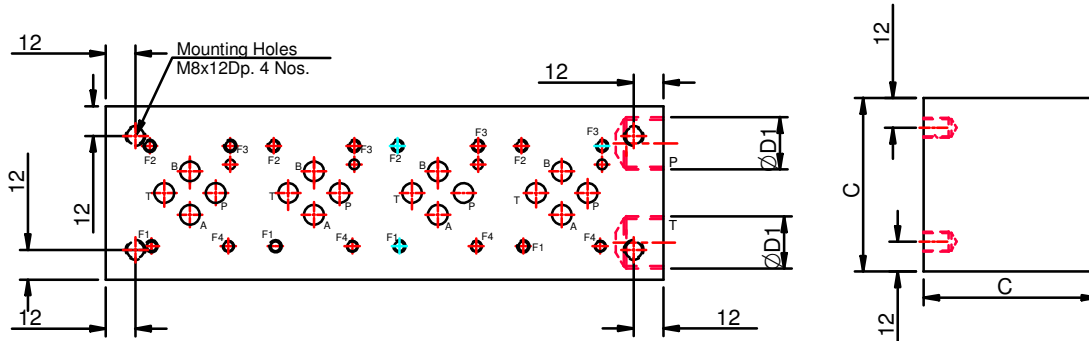
Replaces : MFD/10.09

CM Hydro Systems Pvt Ltd

Features :

- Compact Design
- Ground & Blackened Surface
- Available in 1 to 4 stations (As required by Customer)

Technical data (for other specifications, please contact mktg@cmhydraulics.com)



No. of Stations	01	02	03	04
A	70	125	175	225
C	70	70	70	70
ØD1	1/2" BSP			

NG 06 Manifold Block Details

No. of Stations	01	02	03
A	125	225	325
C	110	110	110
ØD1	3/4" BSP		

NG 10 Manifold Block Details

CMD
MFD/11.11

Manifold Block for DC Valve 06 Size type MFD

LOGO

Replaces : MFD/10.09

CM Hydro Systems Pvt Ltd

Space for Image

Ordering Code

CMH MFD 1 06 01 *

Manifold for DC Valve

=MFD

1 No. Station	=1
2 Nos. Station	=2
3 Nos. Station	=3
4 Nos. Station	=4

06 =	NG 06 Size
10 =	NG 10 Size

Further details to specify

01 =	Steel
02 =	Cast Iron

CMD
MFU/11.11

Manifold Block for Unloading type MFU

LOGO

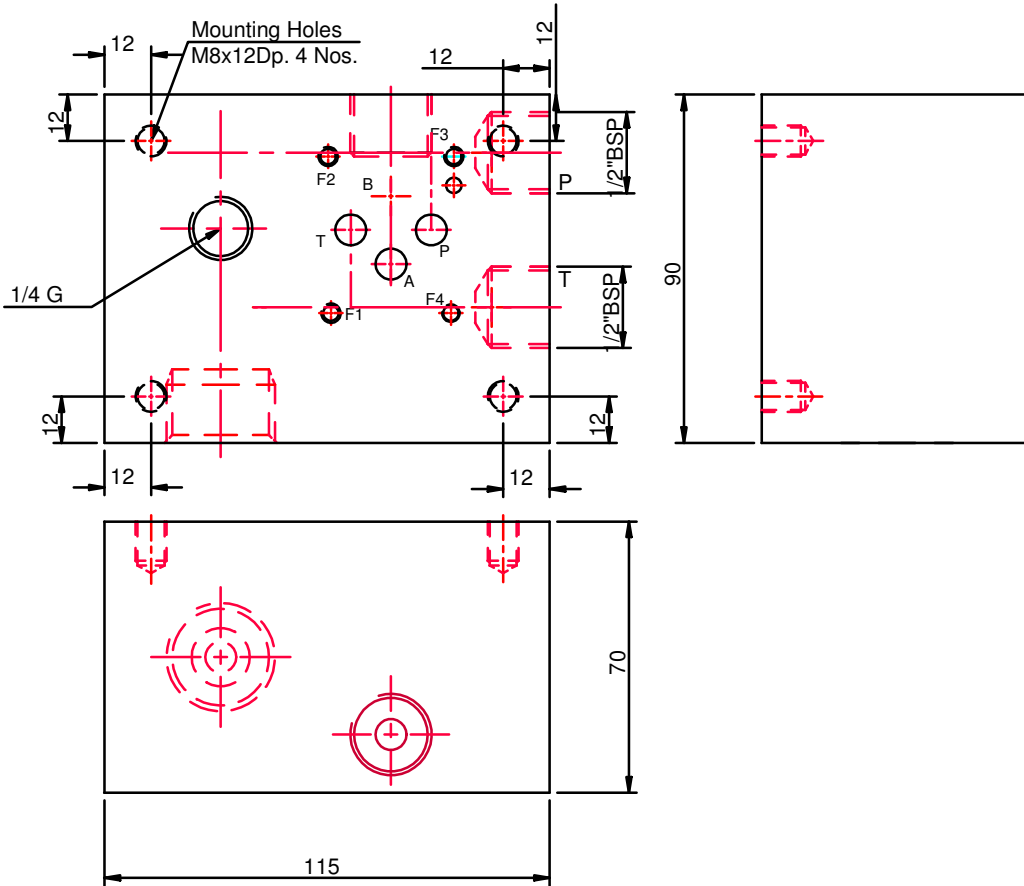
Replaces : MFU/10.09

CM Hydro Systems Pvt Ltd

Features :

- Compact Design
- Ground & Blackened Surface
- Available in 6 & 10 Sizes.

Technical data (for other specifications, please contact mktg@cmhydraulics.com)



Space for Image

Ordering Code

CMHMFU 06 1 *

Manifold for Unloading

=MFU

NG 06 Size
NG 10 Size

=06
=10

Further details to specify

0 = With out DC Valve
1 = With DC Valve