

CMD
TCNRM/10.09

Throttle cum Non Return Valve Modularity TCNRM



Replaces : NIL

Size : 06 to 25

up to 400 bar

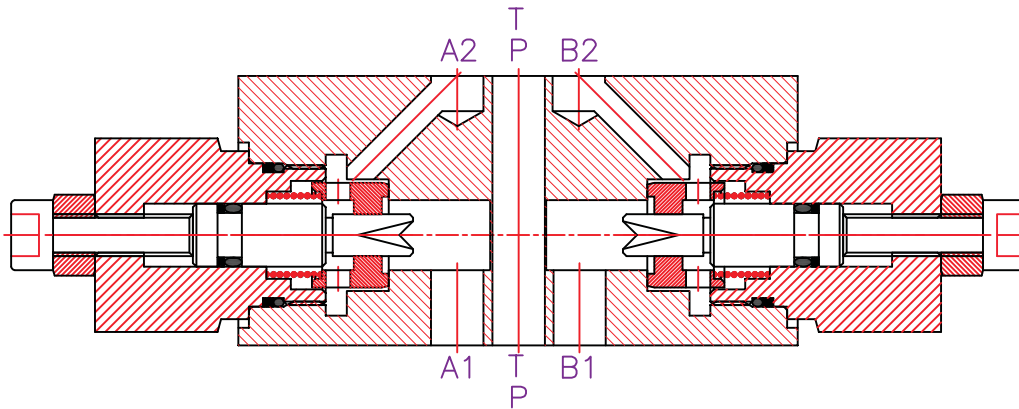
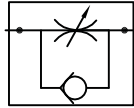
up to 450 L/min.

CM Hydro Systems Pvt. Ltd

Features :

- Modular construction (Subplate mounting)
- Material Steel & SS
- Fine throttling adjustments

Symbols :



Ordering code

TCNRM 06 AB 1 *

Nominal size 06
Nominal size 10

=06
=10

Further details to specify

Throttling Port A & B
Throttling Port A
Throttling Port B

=AB
=A
=B

Revision status index

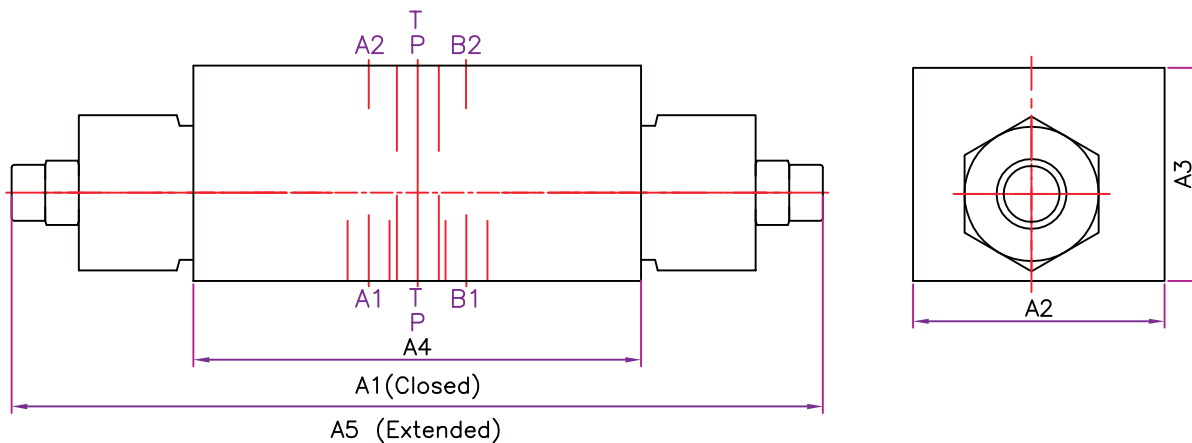
- 0= Cracking pressure 0 bar
- 1= Cracking pressure 1 bar
- 2= Cracking pressure 2 bar
- 3= Cracking pressure 3 bar
- 5= Cracking pressure 5 bar

} Check Valve
Cracking pressure

Technical data (for other sizes and special application, please contact mktg@cmhydraulics.com)

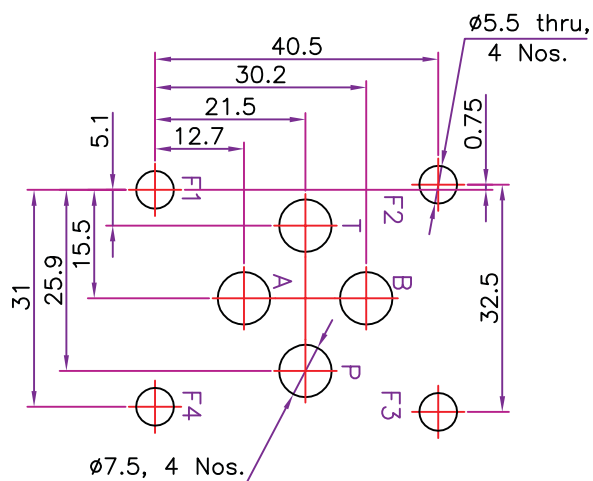
Maximum operating pressure	bar	315 Bar	
Maximum flow	Size	06	10
	L/min.	80	160
Pressure fluid	Mineral oil (HL,HLP) to DIN 51 524; Fast bio-degradable pressure fluids to VDMA 24 568;HTEG (rape seed oil); HEPG (polyglycol); HEES (synthetic ester); other fluids on request		
Pressure fluid - temperature range	°C	- 30 to + 80	
Viscosity range	mm ² /s	2.8 to 500	
Degree of contamination	Maximum permissible degree of contamination of the fluid is to NAS 1638 class 9.		
Weight	Size	06	10
	Kg.	1.1	3.7

Dimensional Details

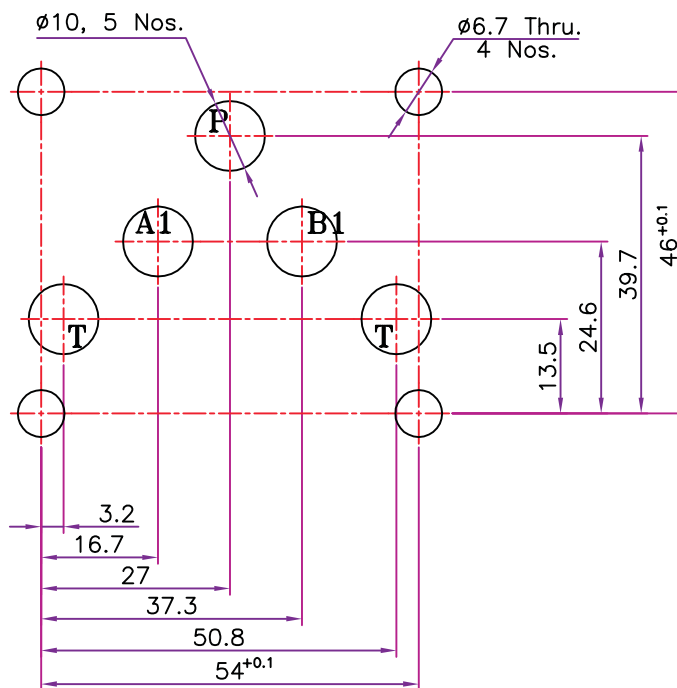


Size	A1	A2	A3	A4	A5
06	145	45	38.1	80	159
08	160	70	48	154	184

Mounting Details :



TCM 06



TCM 10