

CMD
TCNRT/10.09

Throttle cum Non Return Valve type TCNRT



CM Hydro Systems Pvt. Ltd

Replaces : NIL

Size : 06 to 25

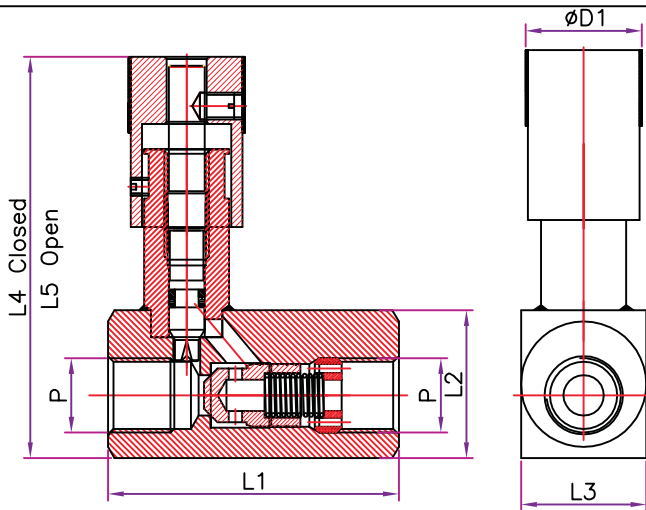
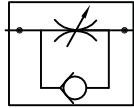
up to 400 bar

up to 450 L/min.

Features :

- For Inline mounting
- Material Steel & SS
- Color Scale for better repeatability

Symbols :



Size	P	L1	L2	L3	L4	L5	ØD1
06	1/4" BSP	58	30	30	80	85	26
08	3/8" BSP	65	33	28	90	95	26
10	1/2" BSP	90	35	35	104	109	27
15	3/4" BSP	100	45	45	114	119	29

Ordering code

TCNRT 1 *

Nominal size 06 =06
 Nominal size 08 =08
 Nominal size 10 =10
 Nominal size 15 =15

Material - Steel =1
 Material - SS =2

Further details to specify

Revision status index

- 0= Cracking pressure 0 bar
- 1= Cracking pressure 1 bar
- 2= Cracking pressure 2 bar
- 3= Cracking pressure 3 bar
- 5= Cracking pressure 5 bar

Technical data (for other sizes and special application, please contact mktg@cmhydraulics.com)

Maximum operating pressure	bar	400 Bar			
Maximum flow	Size	06	08	10	15
	L/min.	18	36	60	150
Pressure fluid	Mineral oil (HL,HLP) to DIN 51 524; Fast bio-degradable pressure fluids to VDMA 24 568;HTEG (rape seed oil); HEPG (polyglycol); HEES (synthetic ester); other fluids on request				
Pressure fluid - temperature range	°C	- 30 to + 80			
Viscosity range	mm ² /s	2.8 to 500			
Degree of contamination	Maximum permissible degree of contamination of the fluid is to NAS 1638 class 9.				
Weight	Size	06	08	10	15
	Kg.	0.46	0.65	0.85	1.6