

CMD
SOS/10.09

Shut Off Valve Type : SOS



Replaces : NIL

Size : 06-15

up to 315 bar

up to 32 L/min.

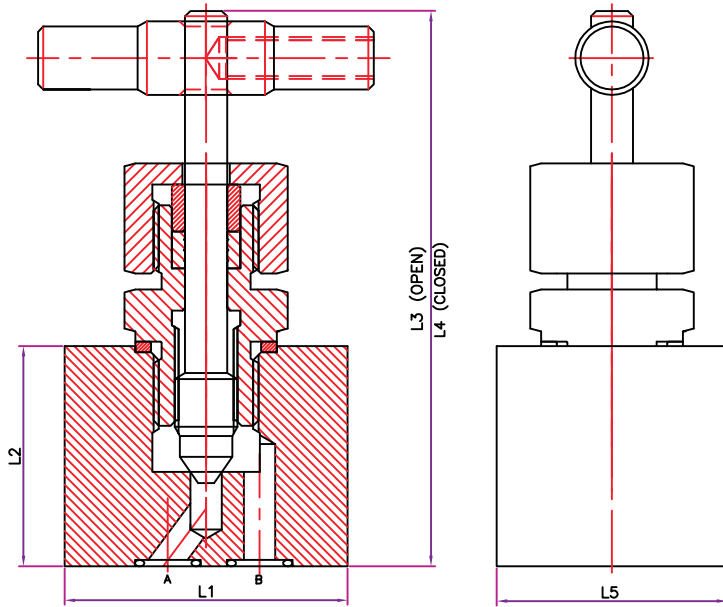
CM Hydro Systems Pvt. Ltd

Features :

- For subplate mounting
- Material Steel & SS

Symbol :

Sectional view



Size	L1	L2	L3	L4	L5
06	54	42	114	105	44
08	54	42	114	105	44
10	75	50	116	126	65
15	75	50	119	130	65

Ordering code

SOS * *

Shut Off Valve Subplate Mounting

Further details to specify

Nominal size 06 =06
 Nominal size 08 =08
 Nominal size 10 =10
 Nominal size 15 =15

CMD
SOS/10.09

Shut Off Valve Type : SOS



Replaces : NIL

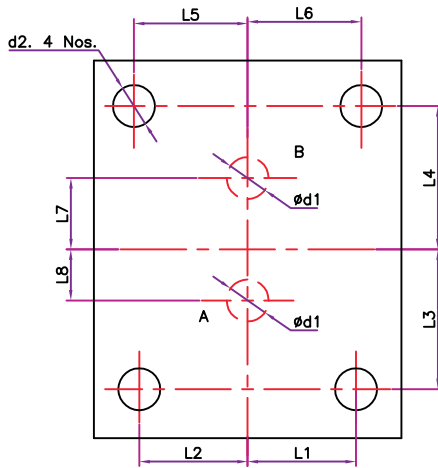
Size : 06-15

up to 315 bar

up to 32 L/min.

CM Hydro Systems Pvt. Ltd

Mounting dimensions



Size	L1	L2	L3	L4	L5	L6	L7	L8	Ød1	d2
06	15.5	15.5	20	20.5	16.25	16.25	10.2	7.3	Ø6	M5
08	15.5	15.5	20	20.5	16.25	16.25	10.2	7.3	Ø8	M5
10	23	23	27	27	23	23	14.2	10.8	Ø10	M8
15	23	23	27	27	23	23	20.2	10.8	Ø15	M8

Technical data (for special application, please contact us)

Mounting style	Subplate Mounting										
Maximum operating pressure	bar	315									
Maximum flow	Size	06	08	10	15						
	L/min.										
Pressure fluid	Mineral oil (HL,HLP) to DIN 51 524; Fast bio-degradable pressure fluids to VDMA 24 568;HTEG (rape seed oil); HEPG (polyglycol); HEES (synthetic ester); other fluids on request										
Pressure fluid - temperature range	°C	- 30 to + 80									
Viscosity range	mm ² /s	2.8 to 500									
Degree of contamination	Maximum permissible degree of contamination of the fluid is to NAS 1638 class 9.										
Weight	Size	06	08	10	15						
	Kg.	1	1	2.1	2.1						