

CMD
NRPM/10.09

Pilot operated Non Return Valve Type NRPM



Replaces : NIL

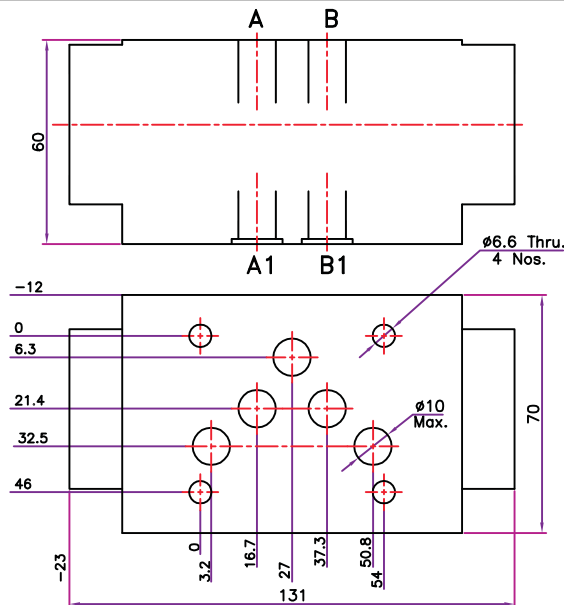
Size : 06 & 10

up to 315 bar

up to 80 L/min.

CM Hydro Systems Pvt. Ltd

Unit dimensions NG 10



Technical data (for other sizes and special application, please contact mktg@cmhydraulics.com)

Mounting style	Sandwich type valve		
Mounting position	optional		
Cracking pressure	bar	0,1,2,3 & 5	
Maximum operating pressure	bar	315	
Flow Direction	From A to A1 or B to B1 free flow, pilot flow in other direction		
Maximum flow	Size	06	10
	L/min.	35	80
Pressure fluid	Mineral oil (HL,HLP) to DIN 51 524; Fast bio-degradable pressure fluids to VDMA 24 568;HTEG (rape seed oil); HEPG (polyglycol); HEES (synthetic ester); other fluids on request		
Pressure fluid - temperature range	°C	- 30 to + 80	
Viscosity range	mm ² /s	2.8 to 500	
Degree of contamination	Maximum permissible degree of contamination of the fluid is to NAS 1638 class 9.		
Weight	Size	06	10
	Kg.	0.86	2.05