

CMD
SVD/10.09

Direct Operated Pressure Sequence Valve type SVD



Replaces : NIL

Size : 06

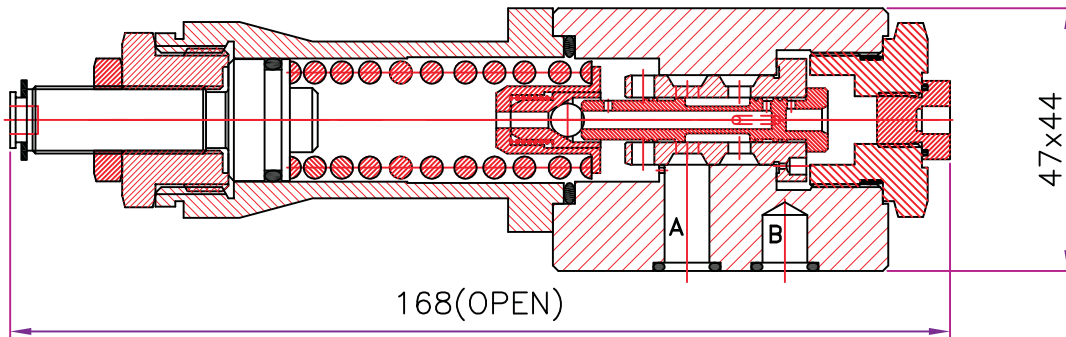
315 bar

40 L/min.

CM Hydro Systems Pvt. Ltd

Features :

- Modular construction
- Available in different drain options
- Available in different pressure ranges



Ordering code

SVD 06 01 100 *

Nominal size 06	=06			Further details to specify
Drain Options				Revision status index
Internal Pilot & Internal Drain	=01	25 =	Pr. 25 Bar	
External Pilot & Internal Drain	=02	50 =	Pr. 50 Bar	
Internal Pilot & External Drain	=03	100 =	Pr. 100 Bar	
External Pilot & External Drain	=04	200 =	Pr. 200 Bar	
		315 =	Pr. 315 Bar	

Technical data (for other sizes and special application, please contact mktg@cmhydraulics.com)

Maximum operating pressure	bar	315 Bar
Operating pressure	bar	25, 50, 100, 200, 315
Maximum flow	L/min.	40
Pressure fluid		Mineral oil (HL,HLP) to DIN 51 524; Fast bio-degradable pressure fluids to VDMA 24 568;HTEG (rape seed oil); HEPG (polyglycol); HEES (synthetic ester); other fluids on request
Pressure fluid - temperature range	°C	- 30 to + 80
Viscosity range	mm ² /s	2.8 to 500
Degree of contamination		Maximum permissible degree of contamination of the fluid is to NAS 1638 class 9.
Weight	Kg.	1

CMD
SVD/10.09

Direct Operated Pressure Sequence Valve type SVD



Replaces : NIL

Size : 06

315 bar

40 L/min.

CM Hydro Systems Pvt. Ltd

Mounting Details

